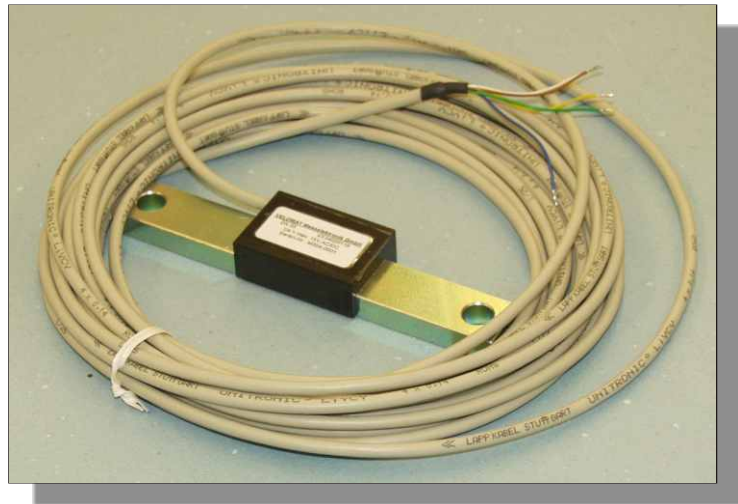


Strain Link Transducer DA-03

article-no.: VX34020119
serial-no.: key 30A



description

The closed structural design of the strain link transducer DA-03, it is particularly suitable for measuring the extension and the forces affecting machine elements and components in a rough environment.

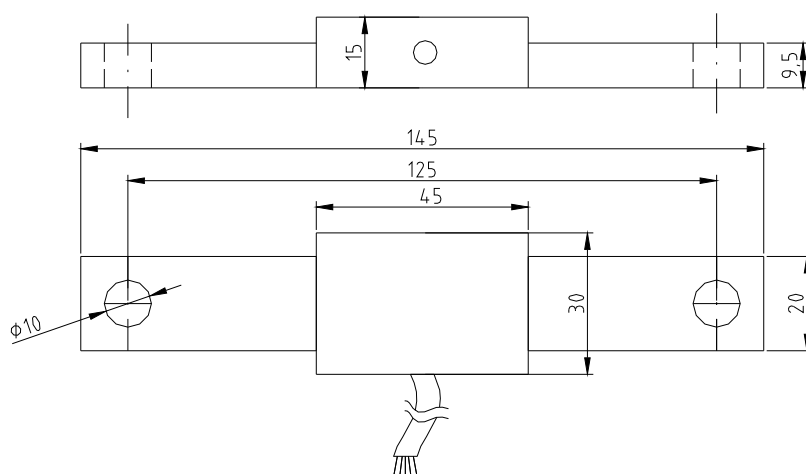
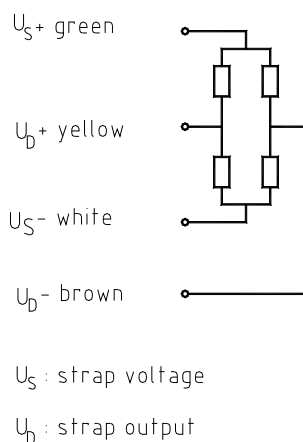
The installation follows in a simple way merely through screwing on the sensor with two screws M9 on level material surface. A direct adherence and calibrating of strain gauges is omitted.

Areas of application are, for example, the strength monitoring, filling stand measurement and strain registration in parts particularly from steel.

The signal, the temperature behaviour and the transmission ratio are principle-caused depending on the geometry and material mating by sensor and component part.

Ideally, the sensor will therefore be calibrated best by applying a known force to the component concerned under the ambient conditions that are typical of the measurement.

specification



mechanical execution

weight	approx. 400 g
sensor	tension / compression
structural design	closed
length x width x height	145 mm x 20 mm x 9,5 mm
mounting	2 x \varnothing 10 mm
material	Ck45 1.1191 (galvanized and yellow chromated)
environmental protection	IP 67

electrical execution

nominal measuring range (ε_N)	$\pm 700 \mu\text{m} / \text{m}$ is equivalent to 0,9 mV / V
accuracy class	0,5
excess load factor	150 % ε_N
transmission ratio	≈ 4
thermal extension coefficient	$\approx 13 \times 10^{-6} 1 / \text{K}$
zero signal	according to the bracing while screwing on to the component part
input resistance	350 Ω
output resistance	350 Ω
insulation resistance	> 5.000 M Ω
operating voltage	max. 15 V AC / DC
connection technique	4 circuit

connection

cable	8 m LiYCY 4 x 0,14 mm ² tinned
electrical connections	green strap voltage U_s+ white strap voltage U_s- yellow strap voltage U_b+ brown strap output U_b- blue protection