

Force Transducer SKA-31,75-1,0t-1.20

article-no.: VX34020294
serial-no.: key 25W



description

The force transducer works according to the strength measuring principle on a transverse basis to the longitudinal axis.

The SKA-31,75 is suitable for crane scales.

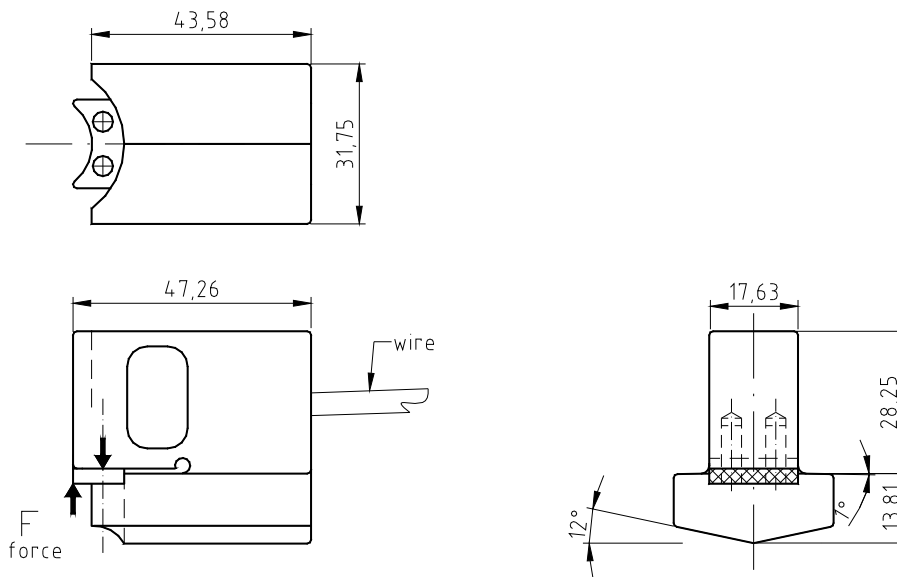
The special force introduction make possible it for measuring static and dynamic forces on cranehooks.

The applicationroom is more largely protected due to systetic material covering depth with a high-elastic compound against chemical and mechanical damages.

The strain gauge bridges measure the caused deformation in the measuring cell. A post-connected amplifier in external case produce measuring signal between 1 and 9 mA.

The SKA-31 is assigned for the direct coupling to an automatic control or a controlling switch.

specification



mechanical execution

weight	approx. 200 g (sensor)
dimension	width = 31,75 mm; length = 47,26 mm; height = 42,06 mm
force introduction	glide area
material	X35CrMo 17 1.4122
environmental protection	IP 67

SKA	31,75-1,0t
nominal force	1.000 kg
max. use force	150 % of the nominal force
rupture force	400 % of the nominal force

electrical execution

output signal	1 - 9 mA
operating voltage	9 - 30 V DC
current consumption	max. 35 mA
calibration in	kg
calibration tolerance	< 3 % of the final value
nonlinearity	< 3 % of the final value
hysteresis	< 2 % of the final value
temperature coeff.	
zp.	≤ 0,04 % of the final value / K
operating condition	-25 °C to +80 °C**

connection

cable length: sensor - amplifier	0,18 m, LIYY 4 x 26AWG								
cable length: amplifier - cable end	1,0 m, LiYY 4 x 26AWG								
cable end	tinned								
electrical connections	<table border="0" style="display: inline-table; vertical-align: top;"> <tr> <td>brown</td> <td>operating voltage</td> </tr> <tr> <td>green</td> <td>GND</td> </tr> <tr> <td>yellow</td> <td>measuring signal output</td> </tr> <tr> <td>white</td> <td>not connected</td> </tr> </table>	brown	operating voltage	green	GND	yellow	measuring signal output	white	not connected
brown	operating voltage								
green	GND								
yellow	measuring signal output								
white	not connected								

** in case the laid cable is fixed